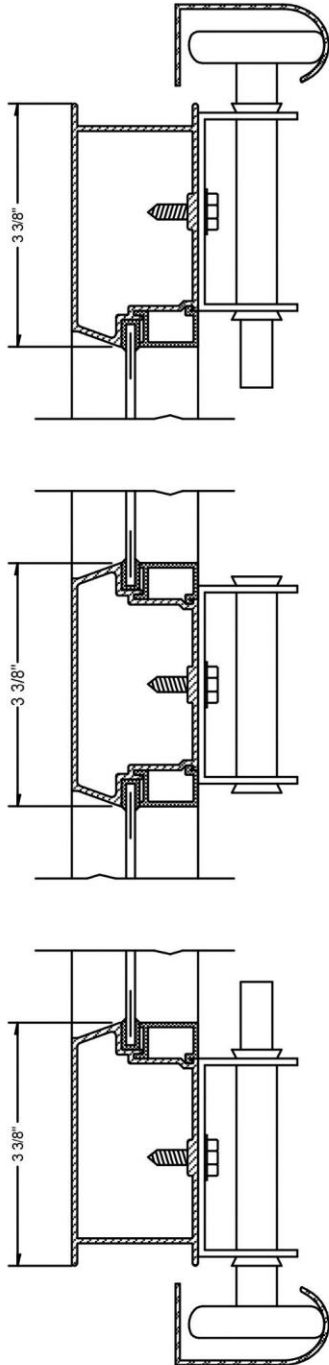
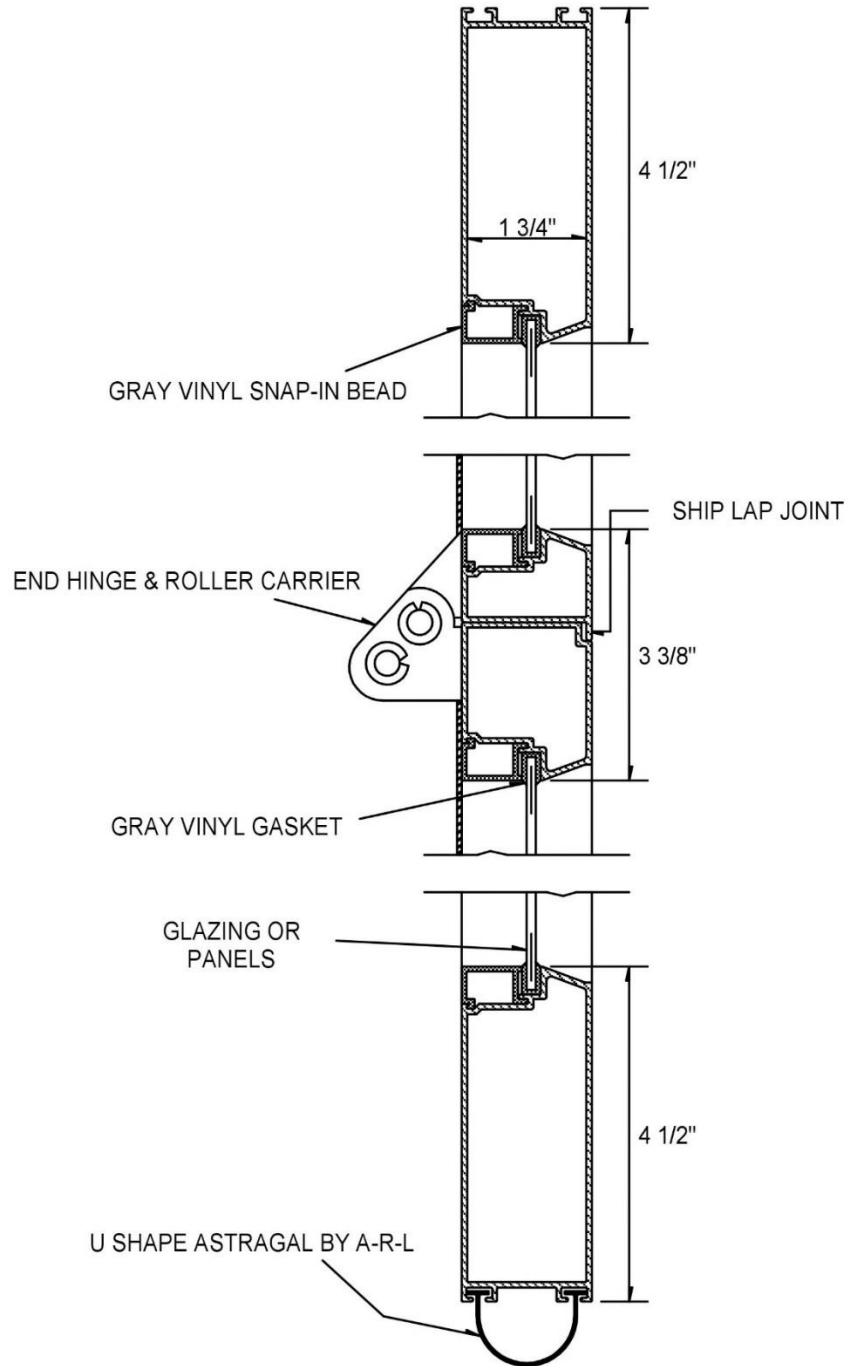


# THE TITAN MODEL

*Plan View*



*Cross Section*



LEED Proficient | WBE Certified | AMERICAN MADE

*"If it isn't **WELDED**, it isn't **ARM-R-LITE!**"*